



MACHINE TOOLS EQUIPMENTS

142

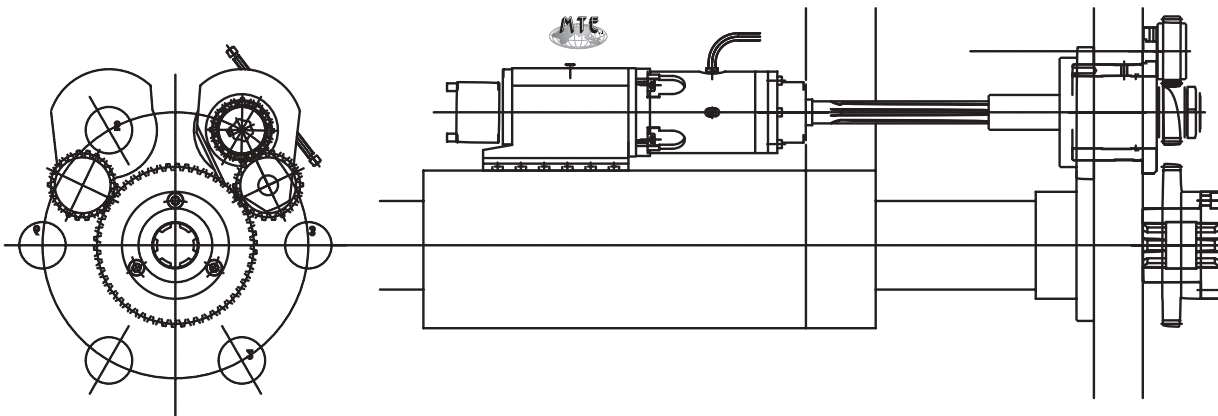
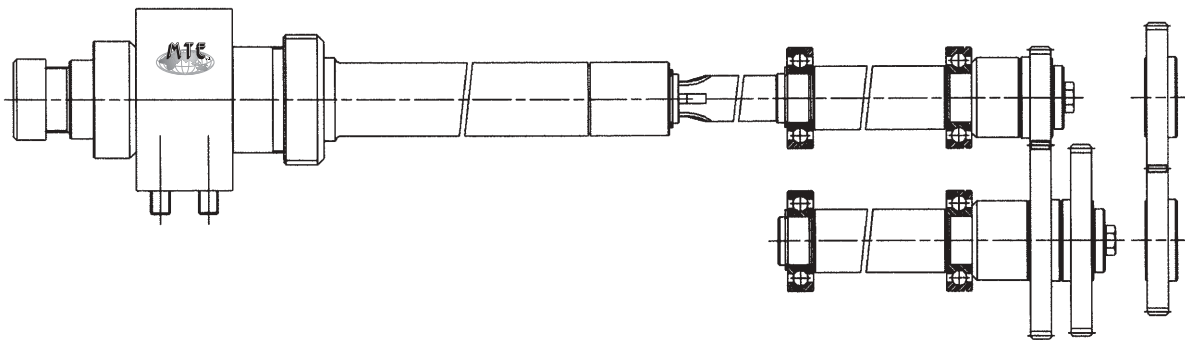
SCHNELLBOHRWERKZEUGSPINDEL **D**

MANDRINO FRONTALE A FORARE VELOCE **I**

FAST DRILLING TOOL SPINDLE **GB/USA**

CONTRE BROCHE A PERCER RAPIDE **F**

MANDRINO PERFORACIÓN RÁPIDA **S**



PINZA  
COLLET

EPR 32  
EPR 40

TABELLA PAGINA SEGUENTE

TABLE NEXT PAGE

A RICHIESTA PER ALTRI TIPI DI MACCHINA - ON REQUEST FOR OTHER TYPES OF MACHINE



MACHINE TOOLS EQUIPMENTS

142

SCHNELLBOHRWERKZEUGSPINDEL **D**  
 MANDRINO FRONTALE A FORARE VELOCE **I**  
 FAST DRILLING TOOL SPINDLE **GB/USA**  
 CONTRE BROCHE A PERCER RAPIDE **F**  
 MANDRINO PERFORACIÓN RÁPIDA **S**

**A RICHIESTA ALTRE ATTREZZATURE/FURTHER EQUIPMENTS ON REQUEST**

ARTICOLO ARTICLE	MACCHINA MACHINE
---------------------	---------------------

**WICKMAN**

142.10.00	5/8"
142.17.00	7/8" - 5 M
142.19.00	1" 3/4 - 5 M
142.20.00	1"
142.29.00	32 - 8
142.30.00	1" 3/4-3/8
142.38.00	1" 3/8 - 5 M
142.40.00	2" 1/4
142.41.00	2" 5/8
142.50.00	3" 1/2
142.58.00	3" 1/4

**GILDEMEISTER**

142.09.00	AS 12
142.11.00	AS 16 - GM 16
142.15.00	AS 20 - GS 20 - GM 20
142.18.00	AS 22 - AS 25
142.27.00	AA 32
142.31.00	AS 32
142.32.00	AS 40 - AS 48
142.36.00	AA 48
142.44.00	AS 55 - 67
142.47.00	GM 35 - GM 42
142.51.00	AA 67
142.56.00	GM 32
142.63.00	AS 63
142.69.00	GS 50 - 51
142.70.00	GM 26
142.82.00	AS 82
142.83.00	AS 100

**MORI SAY - EUROTURN**

142.14.00	6/20
142.24.00	6/25 - 6/32
142.28.00	6/42
142.53.00	8/32
142.67.00	8/42

**INDEX**

142.13.00	MS 25
142.34.00	KS 25
142.35.00	KS 42
142.60.00	KS 18
142.61.00	KS 32
142.62.00	KS 50

ARTICOLO ARTICLE	MACCHINA MACHINE
---------------------	---------------------

**SCHÜTTE**

142.08.00	SF 13
142.21.00	SE 16 - SF 20
142.22.00	SE 25
142.23.00	SF 40 - SF 42
142.33.00	SD 25 - SD 32
142.42.00	SD 50
142.43.00	SD 63 - SD 80
142.46.00	SF 26 - SF 32
142.48.00	AD 40
142.49.00	SF 51
142.54.00	SF 67
142.55.00	SF 26 L
142.73.00	AG 20
142.81.00	SF 81
142.84.00	AF 42/51
142.85.00	AF 26/32

**PITTLER**

142.25.00	PRB 8/25
142.26.00	PRB 8/32 - PRC 6/32
142.37.00	DAM 6/50
142.39.00	DAM 8/32
142.45.00	PRB 6/50 - PRC 6/50
142.52.00	PRB 36/6
142.64.00	PRC 36/6
142.65.00	DAM 6/32
142.71.00	PRC 100/4-72/6-50/8

**BSA**

142.59.00	2"
142.68.00	2" 1/4

**ACME GRIDLEY**

142.12.00	16 m/m
142.57.00	1" 1/4 - 6 M
142.74.00	1" 5/8

**TOS / AN**

142.88.00	6/25 A
142.89.00	6/40 A
142.90.00	6/63 A

**NEW BRITAIN**

142.91.00	52
142.96.00	62

**A RICHIESTA PER ALTRI TIPI DI MACCHINA - ON REQUEST FOR OTHER TYPES OF MACHINE**